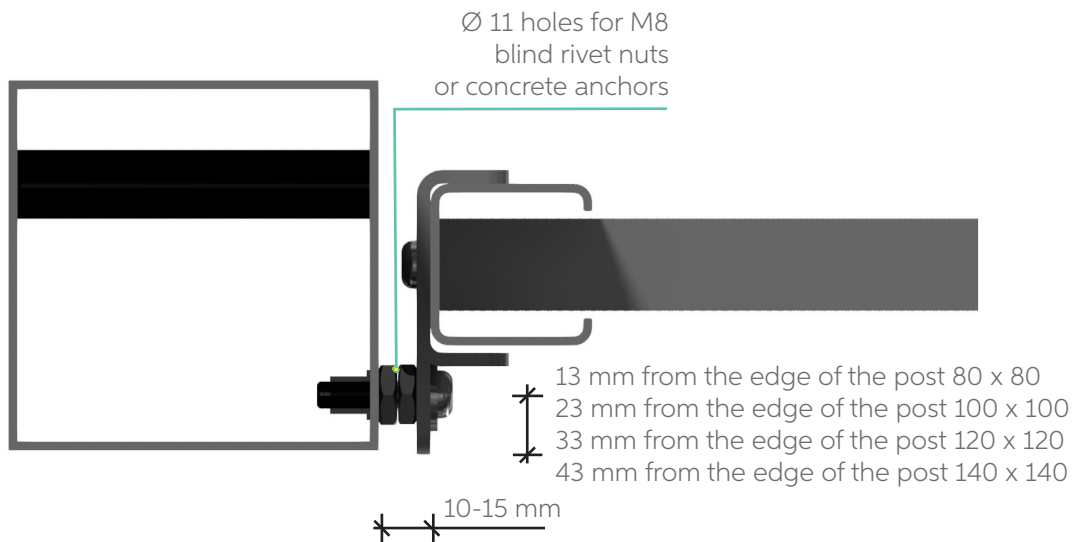


Malachit mounting bracket U6

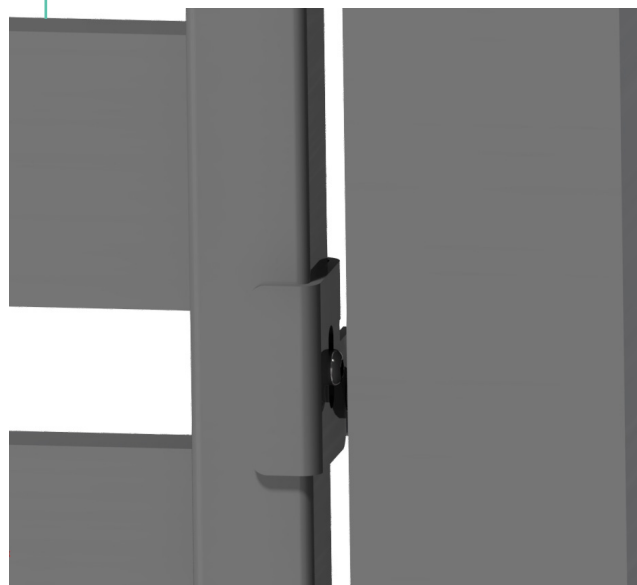


View from the inside



U6 mounting brackets are screwed to the posts with an M8 rivet nut or an anchor to the wall.

Distance to spans 10-15 mm on both sides



View from the outside

10-15mm