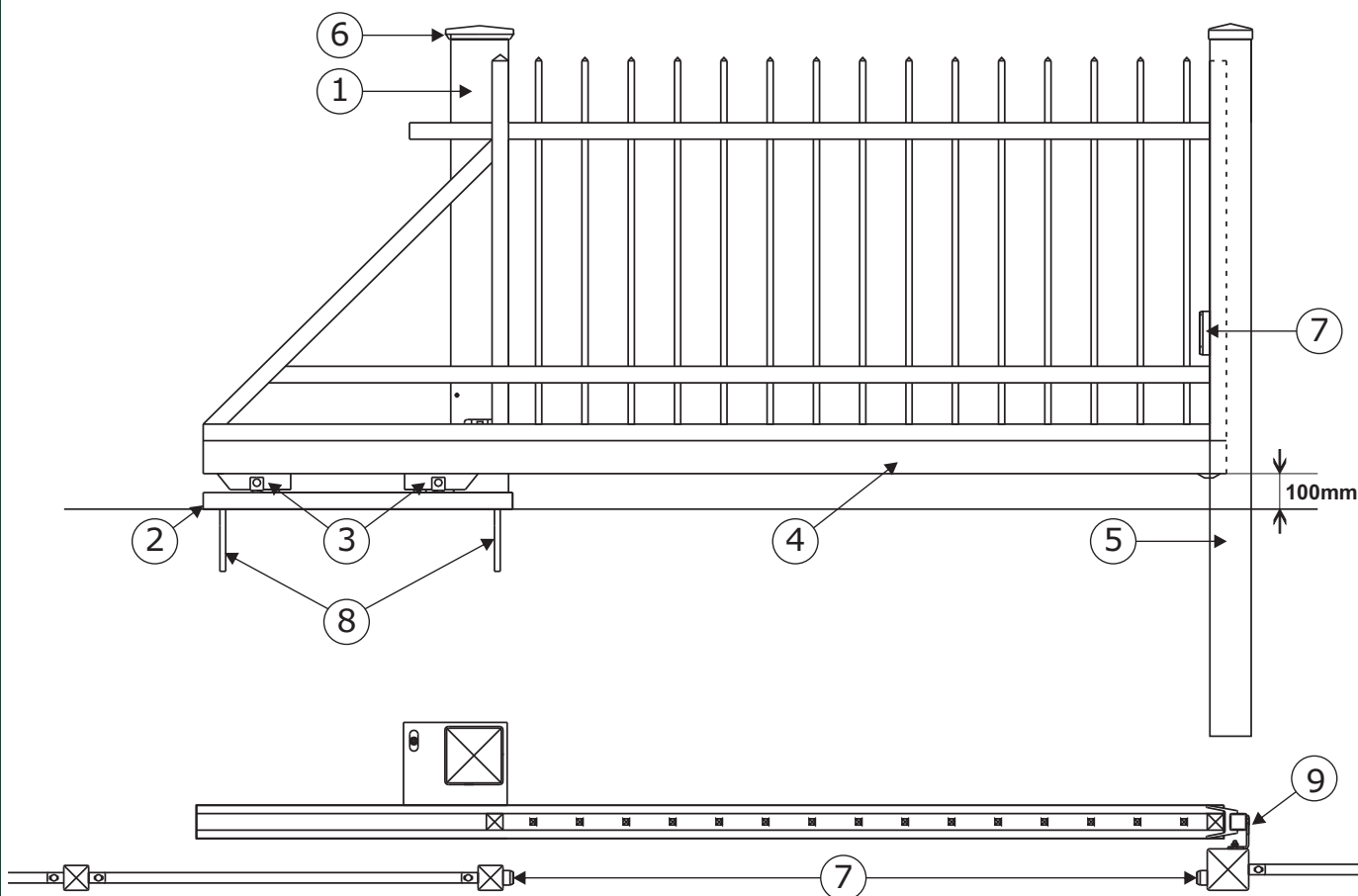


Installation process:

- STEP 1** Foundation block
- STEP 2** Location and installation of mounting pins
- STEP 3** Installation of the gate on the foundation block and final adjustment
- STEP 4** FIRST START-UP

Parts of the gate:

- 1. NOF column
 - 2. Column track
 - 3. Mobile trolleys
 - 4. Gate wing
 - 5. Overrun column (is not included in the price of the gate, please order separately)
 - 6. Warning LED lamp
 - 7. Photocell x 2 (are not included in the price of the gate, please order separately)
 - 8. A set of pins M20 + chemical anchor
 - 9. Handle and overlay foot
- The key to uncouple the drive mechanism (detail B)



STEP 1 Foundation block

In order to properly position and use the sliding gate, you need to make a foundation block with a flat and even surface in accordance with the following guidelines:

- The depth of the foundation block should be 800mm or more depending on the ground frosting (see Annex No. 1);
- The length of the foundation block L_p is variable and depends on the light of the TOP sliding gate (see table No. 1)
- The width of the foundation block should be 450mm;
- The level of the foundation block should be 25mm below the level of the access point to the property;
- The foundation block should be located relative to the plot boundary as shown in Figure 1.

TABLE 1a LENGTH OF THE FOUNDATION FOR THE SLIDING GATE "NOF" / SPECIAL GATE

Gate Light	TRACK LENGTH TOP COLUMN	Lenght of foundation block	Mounting pins measurments
L_b [mm]	L_{tk} [mm]	L_p [mm]	L_s [mm]
3000 - 3500	1300	1420	1220
3501 - 4000	1400	1520	1320
4001 - 4500	1500	1620	1420
4501 - 5000	1600	1720	1520
5001 - 5500	1700	1820	1620
5501 - 6000	1800	1920	1720

TABLE 1b Length of the FOUNDATION BLOCK FOR Sliding gates GATES MALACHIT / MOF / TRAWERTYN

Gate Light	TRACK LENGTH TOP COLUMN	Lenght of foundation block	Mounting pins measurments
L_b [mm]	L_{tk} [mm]	L_p [mm]	L_s [mm]
3000 - 3500	1600	1720	1520
3501 - 4000	1700	1820	1620
4001 - 4500	1800	1920	1720
4501 - 5000	1900	2020	1820
5001 - 5500	2000	2120	1920
5501 - 6000	to be determined on site		

After pouring the foundation block, calculate the distance between the foundation and the overrun column we proceed to its concreting in accordance with Figure No. 1.



Warning

During the execution of the foundation block, it is necessary to perform a protective tube (conduit) for the electrical wiring of the gate.

FIGURE.1 FOUNDATION PLAN

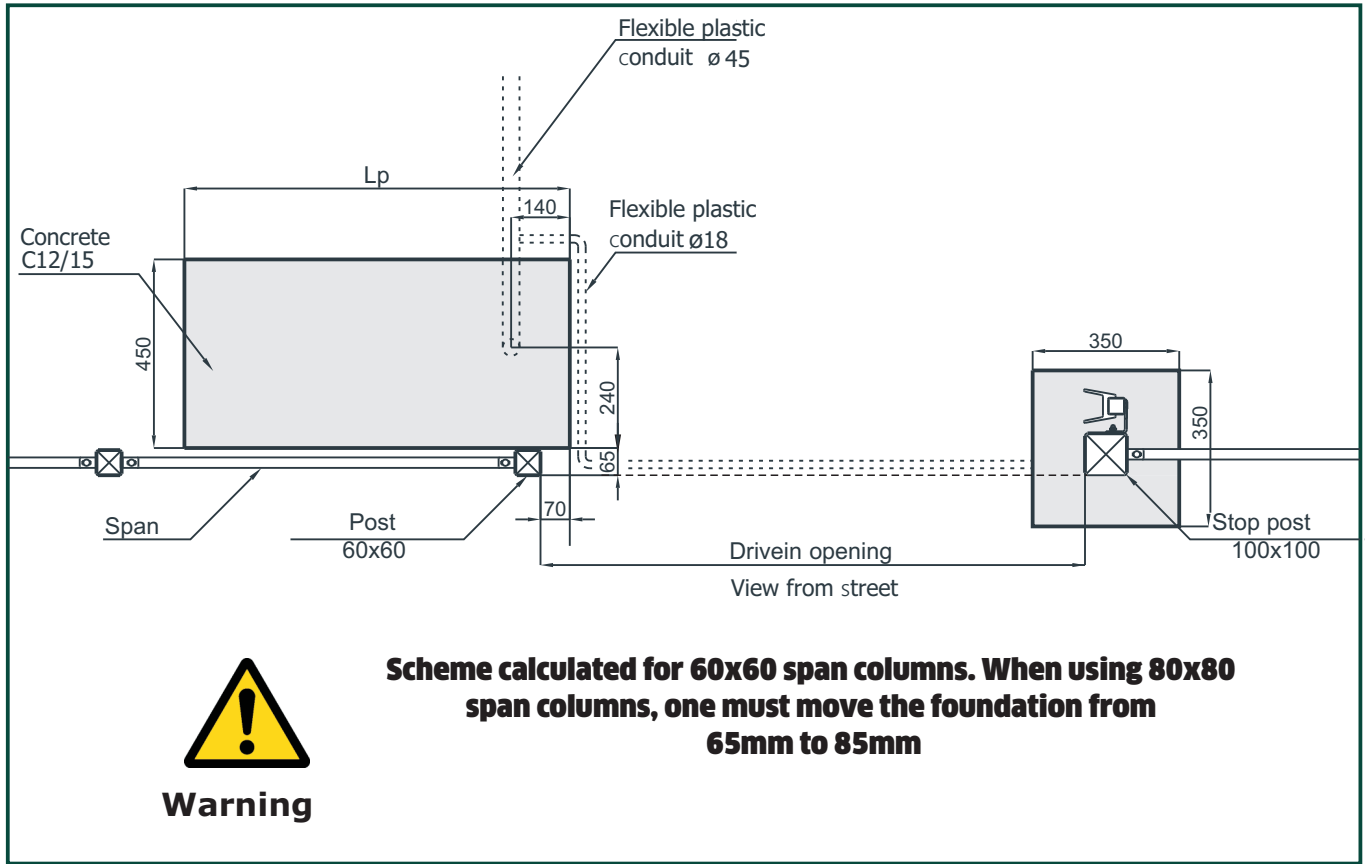
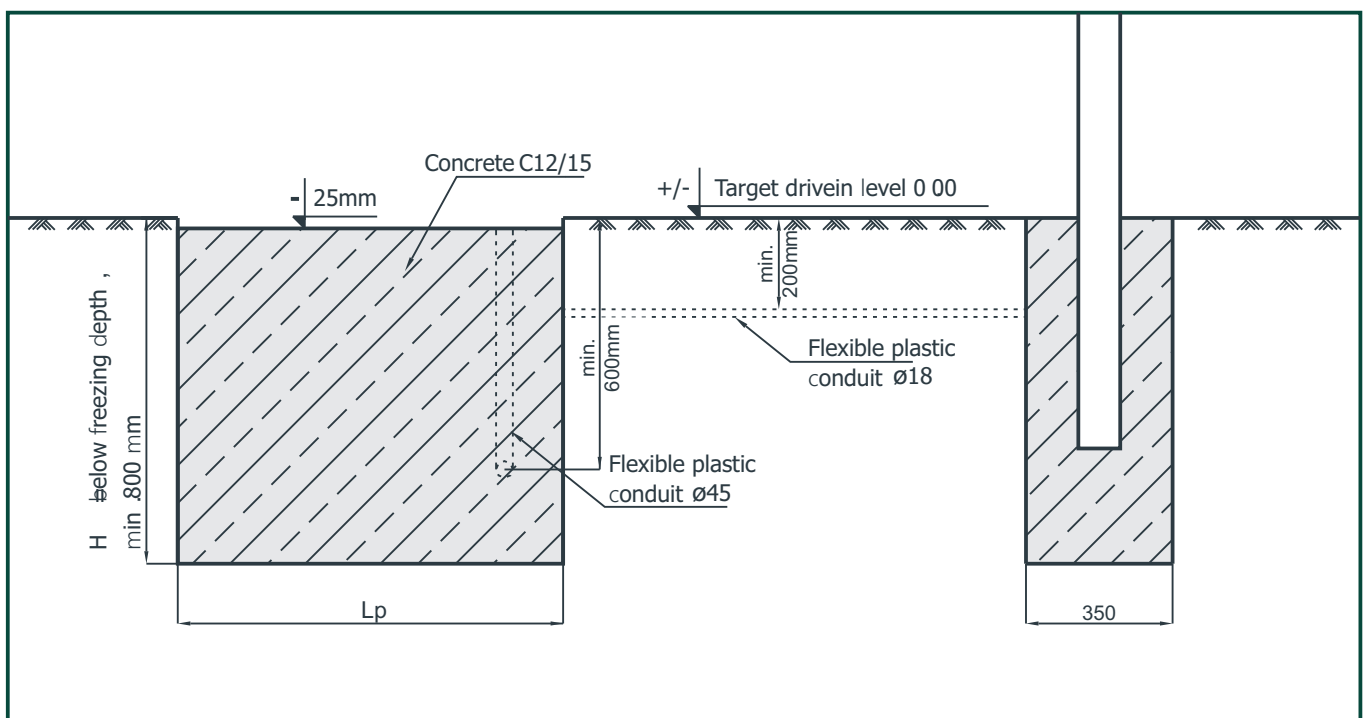


FIGURE.2 SECTION OF THE FOUNDATION BLOCK



ATTACHMENT 1 FREEZING DEPTH – POLAND



STEP 2

Location and installation of mounting pins



Warning

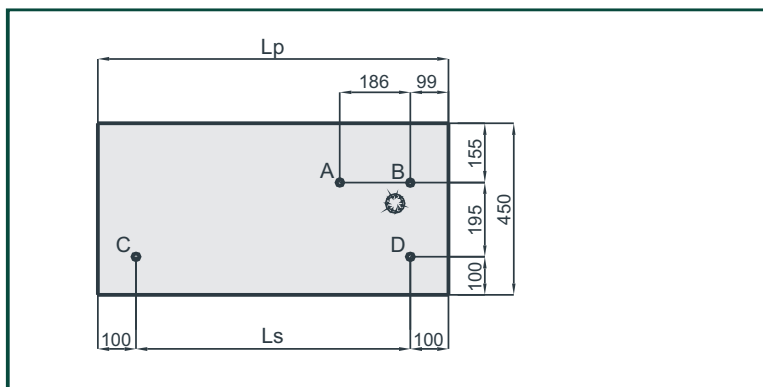
The concrete mix gains 70% of the target strength after 7 days. Full strength of the concrete mix gains after 28 days of bonding in standard conditions, i.e. fulfilled thermal and humidity conditions.

The manufacturer allows two variants of fixing M20 pins:

- VARIANT 1 allows to fasten the gate after 7 days if the anchoring pins were inserted whilst pouring the concrete
- VARIANT 2 allows fastening the gate to chemical anchors 14 days after the block has been poured out foundation. The instructions for mounting the chemical anchor are on the adhesive container

Pin A, B, C and D should be released above the foundation level by 60mm

FIGURE.3 HOLES FOR mounting pins



STEP 3

Installation of the gate on the foundation block and final adjustment

On pins A, B and C, tighten the M20 nuts, apply washers and place the gate with the column so that the bottom of the column track is in the middle position of the pin. Stabilize the applied gate by tightening the nuts with washers on the pins starting from the A-pin.

FIGURE.4 POSITIONING THE GATE ON THE FOUNDATION

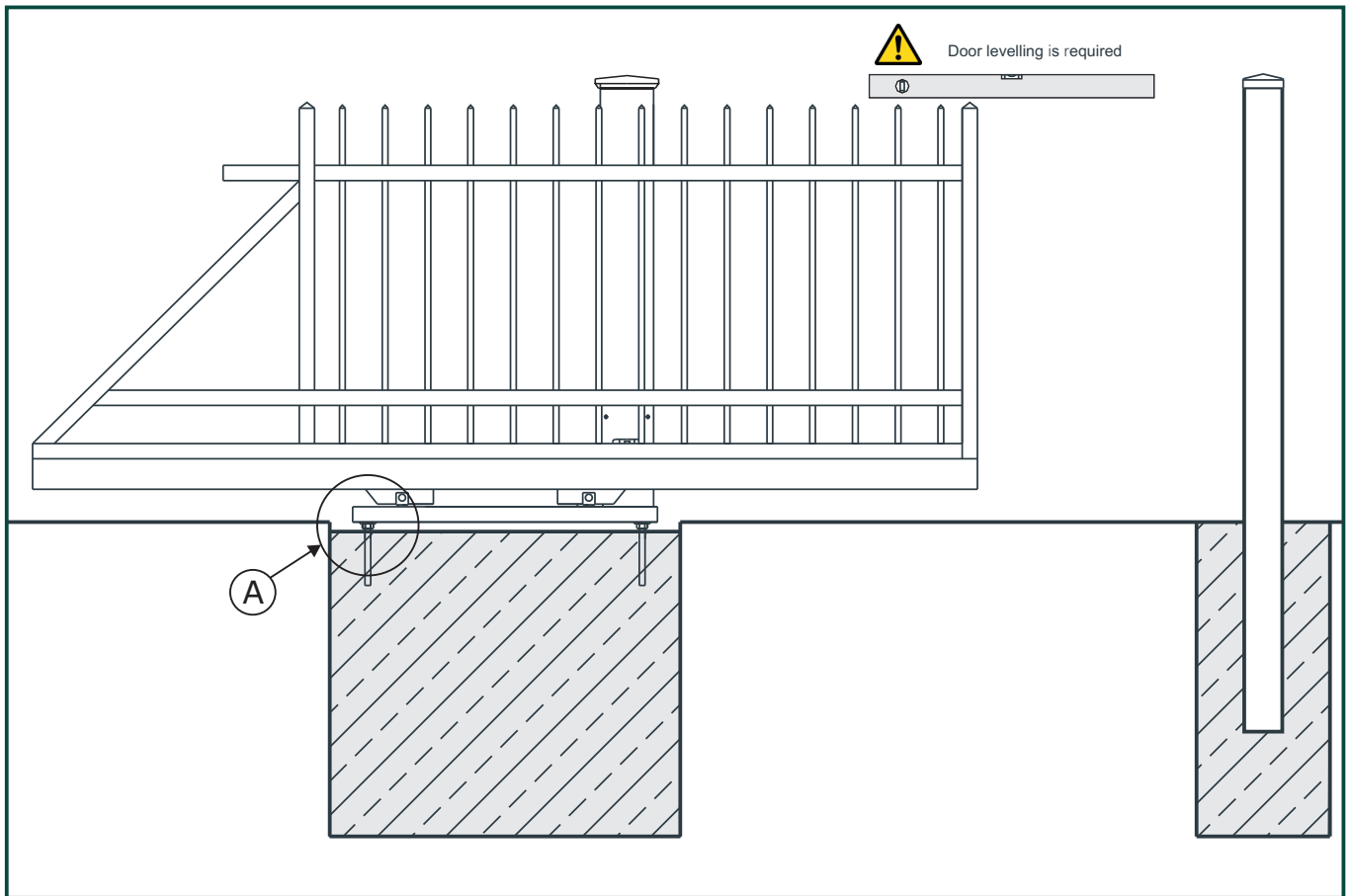
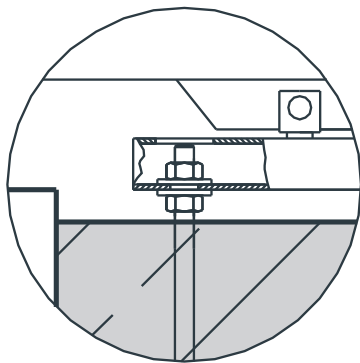


FIGURE.5 DETAIL A



CAUTION

Removal or installation of rollers for the purpose of door adjustment is not allowed.



CAUTION

Note! During door adjustment the drive mechanism must be uncoupled (unlocked).



FIGURE.6 DOOR UNCOUPLING.

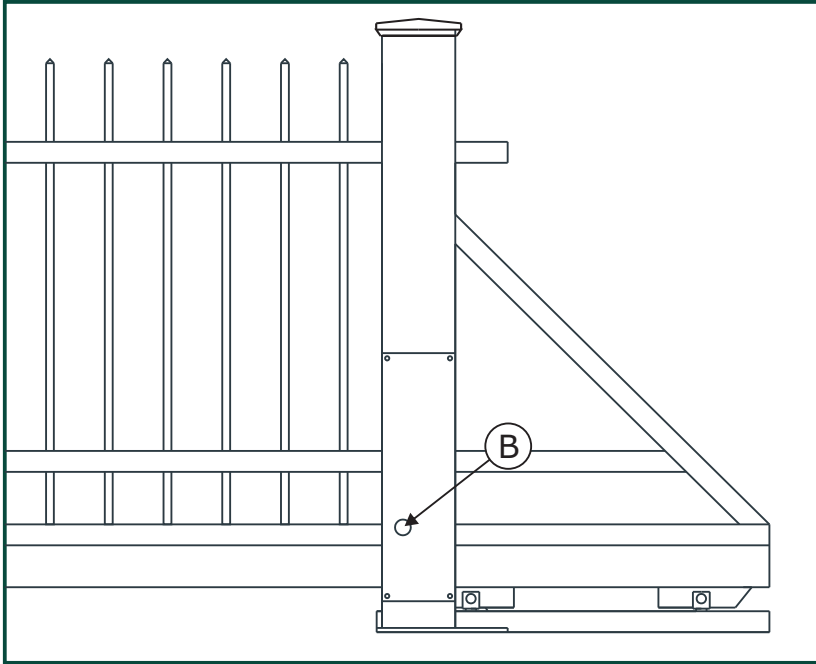
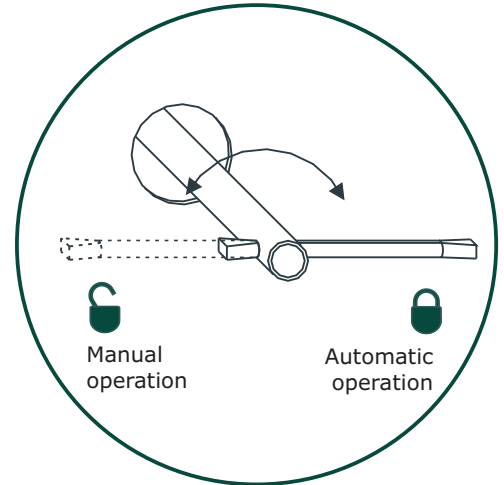


FIGURE.7 DETAIL B



STEP 4 FIRST START-UP

Works related to connection:

- Power supply from the circuit provided with fuse B10;
- Connecting cable (inlet inside the post) YKY 3x1,5 mm² (insulated);
- Power supply connected directly to terminals:
L - phase
N - neutral
PE - earthing
- Works related to connection shall be delivered by qualified electrician.

First operation:

- Check that door is properly installed and adjusted and free movement is ensured without any resistance;
- Move manually the door leaf to closed position;
- Lock the drive mechanism (by coupling);
- Operate the door with the remote control.

SAFETY NOTES

- Automatic door operation may follow only, if the user monitors door movement during closing and opening. Note that no person or object or children obstruct door movement.
- Photocells and LED diode is recommended to ensure safe door operation.
- In case of power failure, manual door opening and closing is allowed after drive mechanism uncoupling (unlocking) (See Drawing No. 7).
- Lubrication of rollers and gear rack is not recommended.
- Do not operate the door when loaded with snow in winter. Before operation, firstly remove snow and clean photocells.
- Periodic service (in the autumn, spring) performed by authorized technician or qualified personnel ensure long service life of sliding TOP door.